

# Amana<sup>®</sup> Electric Dryer

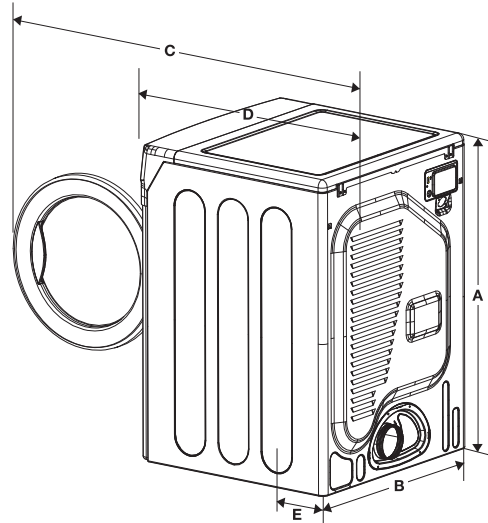
## PRODUCT MODEL NUMBERS

NED7200T

**Electrical:** A four-wire or three-wire, single phase, 120/240-volt, 60 Hz, AC-only, electrical supply (or 120/208-volt electrical supply, if specified on the serial/rating plate) is required on a separate 30-amp circuit, fused on both sides of the line.

**Exhaust venting:** Exhaust your dryer to the outside. 4" (10.2 cm) diameter vent is required. Heavy metal exhaust vent must be used. Do not use plastic or metal foil vent. Exhaust outlet hood must be at least 12" (30.5 cm) from the ground or any object that may be in the path of the exhaust.

## PRODUCT DIMENSIONS



- A. Overall height: 38" (96.5 cm)
- B. Width: 27" (68.6 cm)
- C. Depth with door open 90°: 46-7/16" (123.0 cm)
- D. Depth: 28" (71.0 cm)
- E. Bottom vent location from back to center of hole: 7-1/2" (19 cm)  
Side vent hole from back to center of hole: 8-1/2" (21.6 cm)

**NOTE:** The height of the dryer from top to floor is 38" (96.5 cm) with the leveling leg screwed all the way in. The customer can unscrew the leg out an additional 7/8" (2.2 cm) for a total overall height of 38-7/8" (98.7 cm).

## RECESSED AREA AND CLOSET INSTALLATION

- Minimum clearances between dryer cabinet and adjacent walls or other surfaces are: 2" (5.1 cm) front, 0" (0 cm) top, 0" (0 cm) either side and 2-3/8" (6.0 cm) rear.
- Closet front must have two unobstructed air openings combined total area 72"<sup>2</sup> (464.5 cm<sup>2</sup>), located 3" (7.6 cm) minimum from top and bottom. Louvered door with equivalent air opening is acceptable.
- An appliance installed in a closet shall have no other fuel-burning appliance installed in the same closet.

## EXHAUST VENTING

ELECTRIC AND GAS DRYER				
Weather Hood Type				
Recommended			Use only for short run installation	
4" (10.2 cm)			2-1/2" (6.4 cm)	
No. of 90° elbows	Rigid	Metallic Flexible*	Rigid	Metallic Flexible*
0	80' (24.4 m)	41' (12.4 m)	74' (22.6 m)	33' (10.1 m)
1	68' (20.7 m)	37' (11.2 m)	62' (18.9 m)	29' (8.8 m)
2	57' (17.4 m)	33' (10.1 m)	51' (15.5 m)	25' (7.6 m)
3	47' (14.3m)	29' (9.0 m)	41' (12.5 m)	21' (6.5 m)

\* Do not use non metallic flexible duct.

Select the route that will provide the straightest and most direct path outdoors. Plan the installation to use the fewest number of elbows and turns. Avoid making 90° turns.

Do not use vent runs longer than specified in vent length chart.

Determine the number of elbows you will need.

**NOTE:** Side and bottom exhaust installations have a 90° turn inside the dryer. To determine maximum exhaust length, add one 90° turn to the chart.